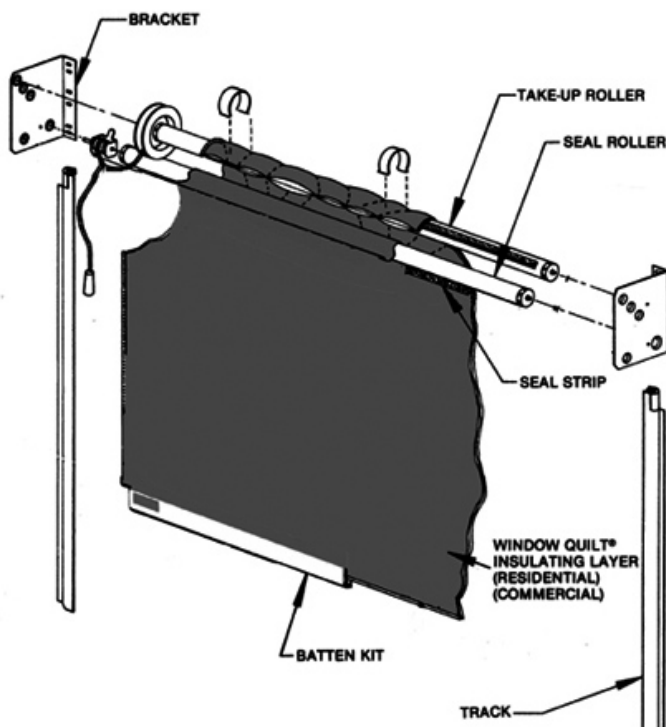


Measuring Instructions for Model 400 Movable Shades

Window Quilts are installed on the window trim. Ordered width is from outside of track to outside of track. Each Model 400 track is 1-7/16" wide. As such, the ordered width will be AT LEAST 3 inches more than the window opening.

1. **Bracket Location and Length** – Determined by style of top window trim. If trim is secure, flat, and wide enough, brackets will be mounted on the trim. Otherwise brackets will be mounted above the trim. Best placement will be obvious at time of installation. Model 400 should be ordered, unless headroom above window is limited. For close to ceiling mounting, install Model 100 shades. Your SHADE LENGTH is the distance from bottom of bracket to windowsill or floor. We recommend adding 6" when ordering to allow for possible adjustment of brackets during installation. Note: Sill strip may be added, if necessary. Utilize templates on page 3 for assistance.



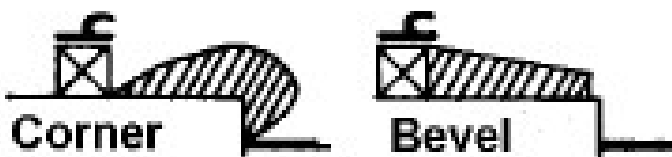
400 Series

Window Height (up to)	Bracket to ceiling clearance required	Projection into room
48"	1/2"	5-1/4"
72"	1"	5-3/4"
84"	1-3/4"	6"
120"	2-3/4"	6-3/4"
144"	3-3/4"	7-1/4"

2. **Calculate Width** – Placement of side tracks on trim will determine width.

- a) The first step is to measure your window width at several points from top to bottom to make sure the sides are parallel. In other words, that the window is “square”. Side tracks must be parallel for smooth operation.
- b) Tracks have ½ inch of adhesive on the outer back surface. Select an area on the window trim that will accept the adhesive and permit parallel mounting of the tracks.
- c) If the window trim is heavily carved or the windows are seriously out of “square” mount the tracks off trim as described in Section 3.

3. **Off Trim Mounting** – If trim is too narrow, irregular or out of square, side tracks may be mounted on narrow strips added outside the trim. See below. Similarly, brackets may be mounted on blocks or a full board above the trim.



4. **Determine Shade Width** - Once track position is determined, mark the planned location of the outside track edge on either side. Measure that distance and **ROUND UP** to the nearest inch. That is your **SHADE WIDTH**. If this does not permit attaching the track on a suitable flat surface, see section 3 above or call our factory for other suggestions.
5. **Protruding Handles** - Occasionally casement window cranks and sliding door handles may interfere with shade drop. Check clearance before ordering. Low profile and “T” handles are available from several sources on the web. Crank handles may be loosened and repositioned or set aside. Alternatively the shade may be mounted off the trim (see 3 above) on side strips sized to allow clearance.

Pricing

All items are priced per square foot. Formula is: (Length in Inches) X (Width in Inches) ÷ 144 = Square Feet

Model 100 & 400 shades \$14.00 per Square Foot (30% off previous price of \$20 per sq ft)

Window Quilt Tel 802-246-4500 • Fax 802-246-4505

400 Series Template

Note: Due to specific printer differences, upon printing slight variations in dimensions can occur. Check this printout and make sure you measure carefully.

